



PT YABES KOGYO

COMPANY PROFILE

Kawasan industri Lippo Delta Silicon 3
Jl. Agatis Blok F9/9E Cikarang Pusat,
Bekasi 17520
Indonesia



admin.yabes@yabeskogyo.com



www.yabeskogyo.com



(021) 899 140 50 / (021) 899 140 51

Our Company



PT. YABES KOGYO is a manufacturing company with main business as a Thermoforming Company which also support General Trading as Business Activity.

PT. YABES KOGYO provide quality product for Thermoforming for Electronics and Automotive Industries

PT. YABES KOGYO is established with strong mission and commitment to provide competitive price, good customer service, quality stability, on time delivery, competitive price, and continuous improvement for packaging needs and to become environmental friendly manufacturing industry.

OUR COMPANY

Business Activity

1. **General Trading**
2. **Manufacturer of Thermoforming plastic packaging:**
 - Plastic Tray
 - Blister Pack
 - Clamshell Pack
 - Other Thermoforming Products

User

- Toys Industries
- Food Industries
- Pharmaceutical Industries
- Electronics Industries
- Automotive Industries

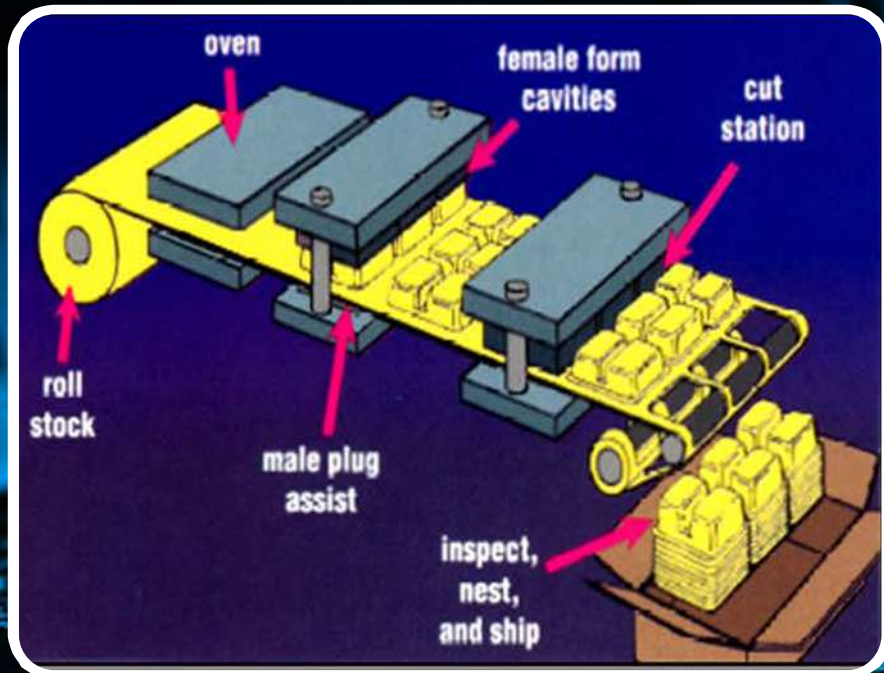
Material Type

- PET
- PP
- HIPS
- PVC

LINE OF PROCESS

Custom Process of Thermoforming

Basic of Thermoforming Process



Yabes Kogyo uses quality thermoplastic raw material sheet and quality controlled processes to meet strict customer specifications. Inspectors check the thermoforms for proper configuration, trim tolerance, function and appearance before packing

DESIGN & ENGINEERING

Design and technical drawing
by using CAD CAM.

We use Computer-Aided Design
to make design of each

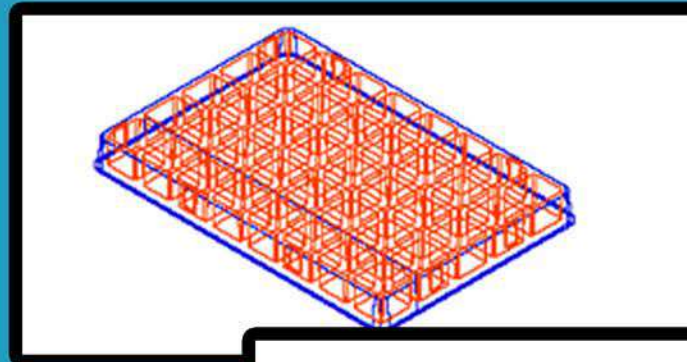
SUPPORTED BY
CAD-CAM



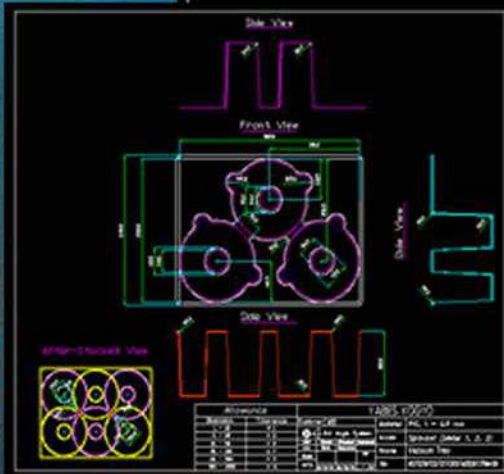
Design and technical drawing by using CAD CAM.
We use computer-aided design to make design of each project's requirement
We design customized requirements

DESIGN & ENGINEERING

Design and technical drawing by using CAD CAM. We use computer-aided design to make design of each project's requirement We design customized requirements for customers

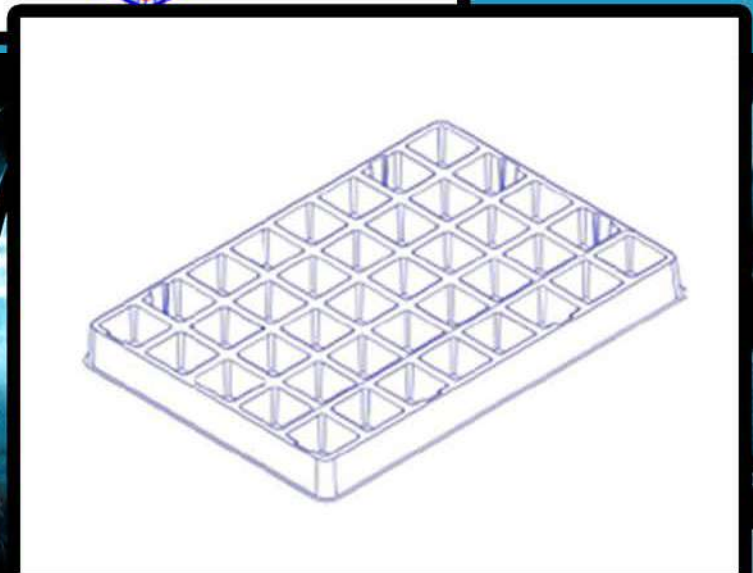


- 3D and 2D Drawings



- **Technical Drawing**

We use technical drawing as a media of standard design & engineering



FACILITIES & MACHINERIES



State of The Art
High Speed
Thermoforming Machine

Capacity :

Production	1 Shift	Daily	Monthly
3 Line	1 Ton	3 Ton	75 Ton



Factory Area



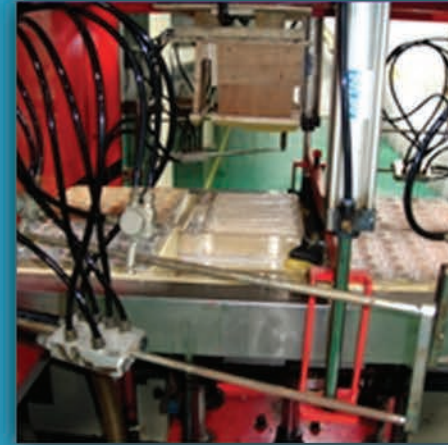
FACILITIES & MACHINERIES

Line Process:

- Heating
- Vacuum Forming
- Cutting
- Inspection
- Packing
- Storage
- Delivery

Machineries :

- 3 Unit of High Speed Vacuum Forming Machine
- 5 Units of Cutting Machines
- Wood Working Machines



FACILITIES & MACHINERIES

Mold & Dies



LIST CUSTOMER

MAJOR CUSTOMER

PT NGK CERAMICS INDONESIA
PT AISAN NASMOCO INDUSTRI
PT DENSO INDONESIA
PT KEIHIN INDONESIA
PT KAYABA INDONESIA
PT IK PRECISION INDONESIA
PT PROPACK KREASI MANDIRI
PT TSUZUKI INDONESIA MANUFACTURING
PT SUNSHINE TECHNICA INDUSTRI
PT JTEKT INDONESIA
PT KOHWA PRECISION INDONESIA

PT PROGRES DIESCAST
PT SUTECKARIYA INDONESIA
PT EXEDY MANUFACTURING INDONESIA
PT PATEC PRESISI ENGINEERING
PT DHARMA POLIMETAL
PT GEMAPLAST
PT MMC METAL FABRICATION
PT GARUDA MAINTENANCE FAA, TBK
PT JAYA PRAKARSA
CV GUMELAR
PT FEDERAL IZUMI MANUFACTURING

and many more satisfied clients and partners